

PF93782

Submersible Stainless / Cast Iron Sewage Pump

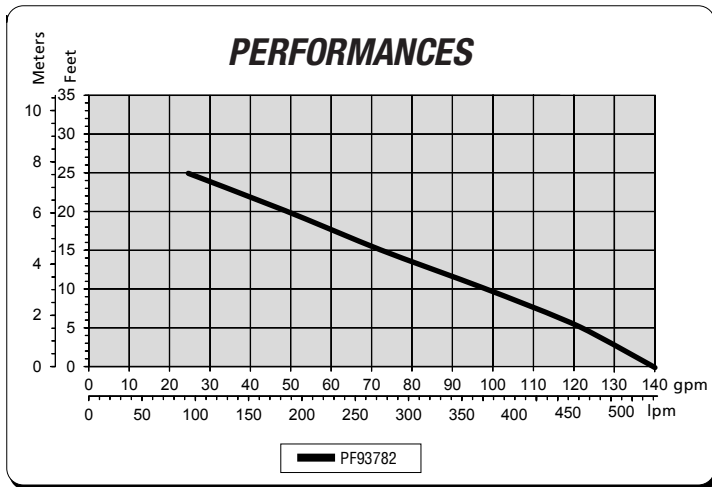
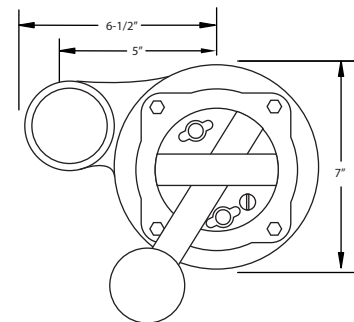
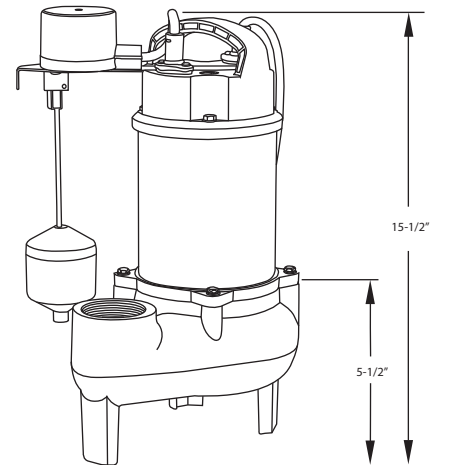


Product Features

- 1/2 HP submersible sewage pump with vertical float switch
- Submersible sewage pump for typical residential and commercial applications where materials must be moved upward from a basin to sewer or septic lines or to drainage fields
- Solid stainless steel, non-clogging vortex impeller
- Stainless steel motor housing
- Cast iron volute
- 12 Amps, 1440 watts
- Maximum head of 30 feet
- Maximum flow rate of 140 GPM
- 2" Solids handling ability
- Permanent split capacitor motor
- 3450 RPM
- Liquid temperature range 32-120°F
- Discharge size 2" FNPT
- Comes with 15' power cord w/ piggyback plug (on switch cord)



PF93782



Discharge Height	0'	5'	10'	15'	20'	25'	30'
Gallons Per Minute	140	123	97	72	49	25	3
Gallons Per Hour	8400	7380	5820	4320	2940	1500	180

Warranty and Codes

These products come complete with installation, operating, care and maintenance instructions. This PROFLO product carries a 3-year limited warranty. In an effort to continually improve our products, FEI will make design changes from time to time. We reserve the right to ship newly designed product to fill any order unless we agree in writing to do otherwise.

Construction

- Stainless steel housing and cast iron base
- Stainless steel impeller