

15EC-CIA-SFS SERIES

APPLICATIONS

- Wastewater removal, dewatering and water transfer

FEATURES

- 3/4 HP Permanent Split Capacitor (PSC) motor
- 1-1/2" FNPT discharge
- Thermally protected motor
- Completely submersible, designed for continuous duty operation
- Fully automatic with integral vertical float switch
- Cast iron motor housing, base and cover
- Capable of passing 1/2" semi-solids

SERIES SPECIFICATIONS

Volts	Hz	Amps	Watts	Performance (GPM / Liters per Minute @ Height)					Shut-Off	PSI Bar
				5' / 1.5 m	10' / 3 m	15' / 4.6 m	20' / 6.1 m	25' / 7.6 m		
115	60HZ	8.1A	800W	80 302.8	66.7 252.5	56.7 214.6	45 170.3	30 113.6	28' 8.5 m	12.1 0.83

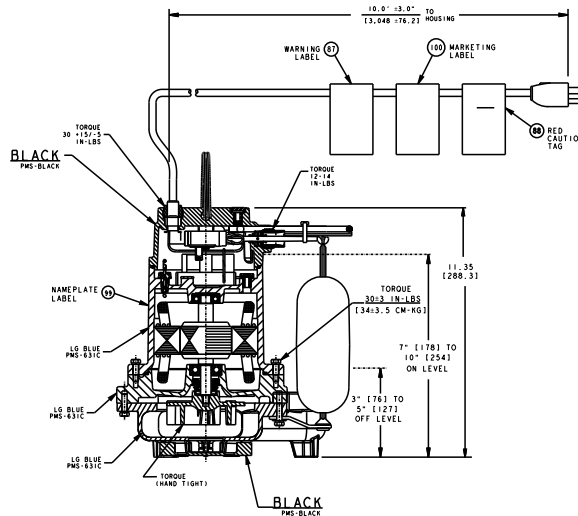
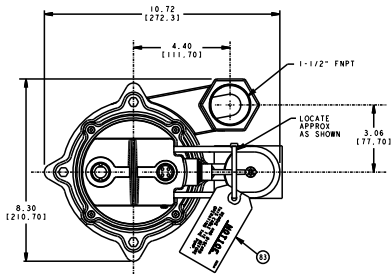
Item No.	Model	HP	Volts	Switch Type/ Operation	On Level	Off Level	Cord	Weight
14942784	15EC-CIA-SFS	3/4	115	Snap Action Float Switch	7"-10"	3"-5"	10' 3 m	34.1 lbs 15.5 kg



SUMP PUMPS

15EC-CIA-SFS SERIES

PERFORMANCE DATA

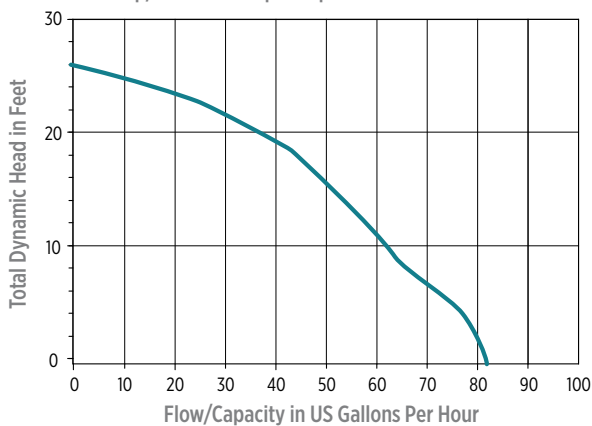


GPM	Head
85.5	0
85	1
80	5
66.7	10
56.7	15
45	20
27	24.5
0	28

LPM	M
323.7	0
321.8	0.3
302.8	1.5
252.5	3
214.6	4.6
170.3	6.1
102.2	7.5
0	8.5

PERFORMANCE DATA

Sump/Effluent Pump Composite Performance Curves



CONSTRUCTION

Motor Housing	Cast Iron
Impeller Material	Polymer
Impeller Type	Clog resistant
Volute	Cast Iron
Motor Shaft	Stainless steel
Shaft Seal	Mechanical
Fasteners	Stainless steel
Bearings	Ball bearing upper/lower
Power Cord	10FT
RPM	3200
Motor Type	PSC