

16EC-SSA-V SERIES

APPLICATIONS

- Wastewater/sewage removal, dewatering and water transfer

FEATURES

- 1.0 HP Permanent Split Capacitor (PSC) motor
- Completely submersible, designed for continuous duty operation
- Fully automatic with Piggyback vertical float switch
- Capable of fitting in a 18" diameter basin
- Stainless steel motor body
- Cast iron volute/base
- Capable of passing 3/4" solids



SERIES SPECIFICATIONS

Volts	Hz	Amps	Watts	Performance (GPM / Liters per Minute @ Height)					Shut-Off	PSI Bar
				5' / 1.5 m	10' / 3 m	15' / 4.6 m	20' / 6.1 m	30' / 9.1 m		
115	60HZ	8.0A	925W	80 302.8	72 273	60 227	50 189	22 83	30' 10.7 m	15.2 1.05

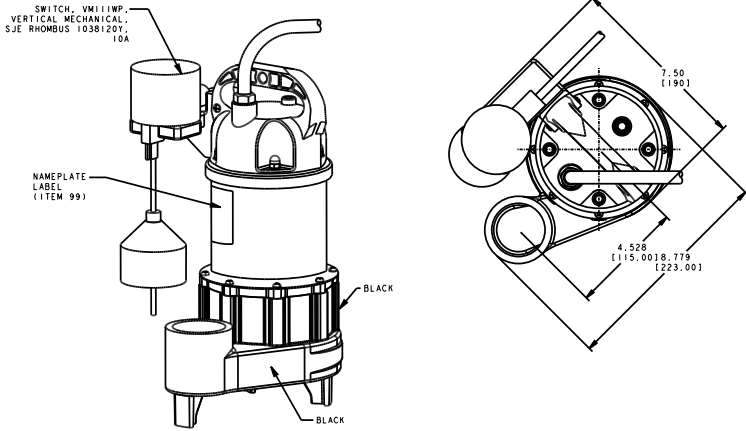
Item No.	Model	HP	Volts	Switch Type/ Operation	On Level	Off Level	Cord	Weight	Discharge
14942785	16EC-SSA-V	1	115	Vertical Float Switch	9.5"-11.5"	3.5"-5.5"	10'	29.8 lbs 13.5 kg	1.5"



SUMP PUMPS

16EC-SSA-V SERIES

PERFORMANCE DATA

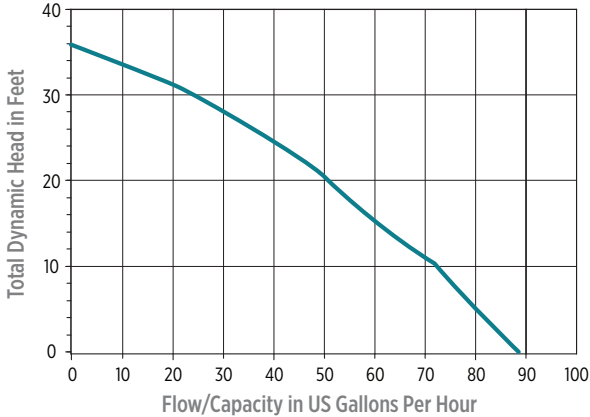


GPM	Head
88.3	0
87	1
80	5
72	10
60	15
50	20
37.5	25
22	30
0	35

LPM	M
334.3	0
329.3	0.3
302.8	1.5
272.6	3
227.1	4.6
189.3	6.1
142	7.6
83.3	9.1
0	10.7

PERFORMANCE DATA

Sump/Effluent Pump Composite Performance Curves



CONSTRUCTION

Motor Housing	Stainless Steel
Impeller Material	Polymer
Impeller Type	Open
Pump/Switch Cover	Polymer
Volute	Cast Iron
Motor Shaft	Stainless Steel
Shaft Seal	Mechanical
Fasteners	Stainless Steel
Power Cord	10FT
RPM	3200
Motor Type	PSC