

IGP-A & IGP-M Series Grinder Pumps

Owner's Manual



Table of Contents

PRODUCT DESCRIPTION - - - - -	3
Specifications - - - - -	3
<i>Flow Rate</i> - - - - -	3
INSTALLATION- - - - -	4
Physical Installation - - - - -	4
<i>Cutter Rotation</i> - - - - -	5
Electrical Connections - - - - -	5
<i>Thermal Protection</i> - - - - -	6
<i>Wiring Schematic</i> - - - - -	6
OPERATION - - - - -	6
MAINTENANCE - - - - -	7
Periodic Service - - - - -	7
Disassembly - - - - -	8
Reassembly - - - - -	8
Troubleshooting- - - - -	9
Replacement Parts - - - - -	10

SAFETY INSTRUCTIONS

This equipment should be installed and serviced by technically qualified personnel who are familiar with the correct selection and use of appropriate tools, equipment, and procedures. Failure to comply with national and local electrical and plumbing codes and within FPS recommendations may result in electrical shock or fire hazard, unsatisfactory performance, or equipment failure.

Know the product's application, limitations, and potential hazards. Read and follow instructions carefully to avoid injury and property damage. Do not disassemble or repair unit unless described in this manual.

Failure to follow installation or operation procedures and all applicable codes may result in the following hazards:

⚠ DANGER

Risk of death, personal injury, or property damage due to explosion, fire, or electric shock.

- Do not use to pump flammable, combustible, or explosive fluids such as gasoline, fuel oil, kerosene, etc.
- Do not use in explosive atmospheres or hazardous locations as classified by the NEC, ANSI/NFPA70.
- Do not handle a pump or pump motor with wet hands or when standing on a wet or damp surface, or in water.
- When a pump is in its application, do not touch the motor, pipes, or water until the unit is unplugged or electrically disconnected.
- To prevent risk of injury, disconnect power before servicing. Never put finger near grinder impeller or pump inlet when pump cord is connected or when the pump is operating.
- Do not place hands, feet or clothing near the cutter mechanism when there is any possibility the pump is connected to a power source. This pump contains a cutting mechanism with very sharp edges that can cause severe bodily injury.

⚠ WARNING

Risk of severe injury or death by electrical shock.

- To reduce risk of electrical shock, disconnect power before working on or around the system. More than one disconnect switch may be required to de-energize the equipment before servicing.
- Check local electrical and building codes before installation. The installation must be in accordance with their regulations as well as the most recent National Electrical Code (NEC) and the Occupational Safety and Health Act (OSHA).
- Wire pump system for correct voltage.
- The pump shall be properly grounded. If the product is supplied with a grounding conductor and grounding-type attachment plug. To reduce risk of electric shock, be certain that it is connected only to a properly grounded grounding-type receptacle. Do not remove the third prong from the plug. The third prong is to ground the pump to help prevent possible electric shock hazard. Do not use an extension cord.
- To reduce the risk of electrical shock, refer to instruction manual for proper installation and method of grounding. Connect pump and float switch controller to an individual branch circuit.
- A separate branch circuit is recommended for each pump.
- The pump should only be used with liquids compatible with pump component materials. If the pump is used with liquids incompatible with the pump components, the liquid can cause failure to the electrical insulation system resulting in electrical shock.
- Wear proper PPE when working on or around pumps, basins, or piping. These pumps can be subjected to wastewater and sewage gases, which can transmit illness or disease.

⚠ CAUTION

Risk of bodily injury, electric shock, or equipment damage.

- This equipment must not be used by children or persons with reduced physical, sensory or mental abilities, or lacking in experience and expertise, unless supervised or instructed. Children may not use the equipment, nor may they play with the unit or in the immediate vicinity.
- Equipment can start automatically. Always unplug the pump power cord and disconnect the electrical power before servicing the pump.
- Do not oil the motor. The pump's motor housing is sealed, and contains a high-grade dielectric oil for heat transfer and lifetime lubrication. Use of other oils could cause serious electric shock and/or permanent damage to the pump
- Do not let the unit freeze. Freezing may cause cracking or distortion that may destroy the unit.
- For use with maximum 140 °F (60 °C) water. Must be installed by experienced professionals only.
- In applications where property damage and/or personal injury might result from an inoperative or leaking pump due to power outages, discharge line blockage, or any other reason, an automatic back-up system and/or an alarm should be installed.
- Risk of electrical shock. Do not remove cord and strain relief. Do not connect conduit to pump.
- Pump must be wired into a control panel. Installation instructions are included with all Franklin Electric control panels and should be referred to for installation.
- For manual models an acceptable motor control device shall be provided at the time of installation.
- Do not use the power cord or float for lifting the pump.
- The pump has been evaluated for use with water only. Pump should only be used with liquids compatible with pump component materials. If the pump is used with liquids incompatible with the pump components, the liquid can cause failure to the electrical insulation system resulting in electrical shock.
- Operation of this equipment requires detailed installation and operation instructions provided in this manual for use with this product. Read entire manual before starting installation and operation. End User should receive and retain manual for future use.
- Keep safety labels clean and in good condition.

NOTICE

Risk of damage to pump or other equipment.

- Periodically inspect pump and system components. Regularly check hoses for weakness or wear, making certain that all connections are secure.
- Schedule and perform routine maintenance as required and in accordance with the Maintenance section of this manual.

PRODUCT DESCRIPTION

Submersible grinder pumps are recommended for use in basins or lift stations and are suitable for pumping residential sewage, effluent, wastewater, and other non-explosive, non-abrasive, and non-corrosive liquids. These pumps utilize a cutting mechanism, located on the suction side of the pump, that cuts solids into a slurry. A semi-vortex, non-clog impeller then passes this slurry directly through the volute and into the discharge line.

Some FPS IGP series grinder pumps are equipped with a float switch that allows the pumps to operate automatically by cycling them on and off. The float switch is attached to the pump at a pre-determined tether length of 9 inches (22.86 cm). Check the tether length on the pump to ensure it has not changed during shipping.

This product is covered by a Limited Warranty for a period of 2 years from the date of original purchase by the consumer. For complete warranty information, refer to www.FranklinEngineered.com.

Specifications

Model No.	Volts	Amps	Watts	HP	Phase
IGP-A231-20	208-230	13.9	3200	2	1
IGP-A231-30					
IGP-M231-15					
IGP-M231-30		10	1300		3
IGP-M233-30					
IGP-M463-30	460	4.5	1025		

NOTE: IGP-A models can be ordered without automatic floats.

Flow Rate

Gallons (Liters) per Minute at Height							Shut-Off (ft / m)
10 ft (3.0 m)	20 ft (6.1 m)	40 ft (12.2 m)	60 ft (18.3 m)	80 ft (24.4 m)	100 ft (30.5 m)	120 ft (36.6 m)	
33 / 124.9	32 / 121.1	31 / 117.3	30 / 113.6	25 / 94.6	20 / 75.7	10 / 37.9	130 / 39.6

INSTALLATION

Physical Installation

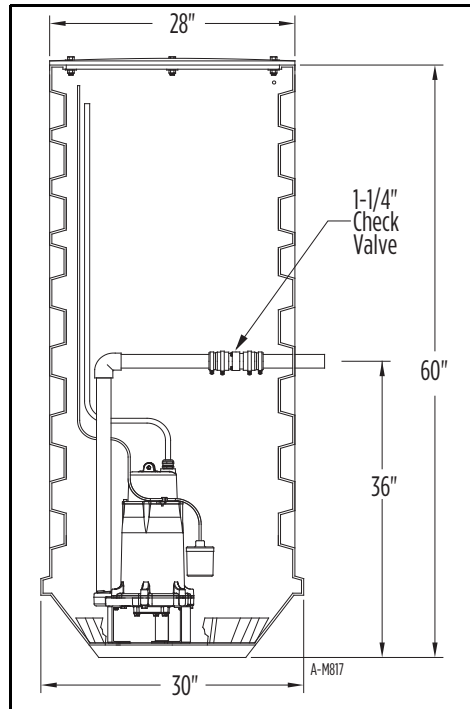
⚠ CAUTION



Risk of personal injury, or damage to pump or other equipment.

- Check that lifting equipment complies with all safety rules, and is suitable to support the weight of the pump.

1. Assemble the three volute casting legs, leg bolts and nuts, and volute, then tighten with a 1/2-inch or crescent wrench.
2. Install the pump in a suitable gas-tight basin at least 24 inches in diameter and 48 inches deep, vented in accordance with local, state, and federal plumbing codes.
3. Place the pump-basin assembly on a hard, level surface.
 - Never place pump directly on clay, earth, or gravel surfaces.
 - Secure the pump so the starting torque does not cause the pump to contact anyone or anything.
4. Install discharge piping.
 - Do not use piping smaller than the pump discharge.
 - Use ABS, PVC, polyethylene, or stainless steel pipe.
 - For rail systems, use proper adapters to connect nonmetal pipe.
5. Install a full-flow check valve in the discharge line horizontally.
 - A ball check valve is recommended.



NOTE: If installed vertically, solids may settle in the valve and prevent it from opening at start-up.

6. Drill a 3/16-inch diameter relief hole in the discharge pipe below the floor line and between the pump discharge and check valve.

NOTE: If not provided, the pump could “air lock” and will not pump water even though it will run.

7. Install a shut-off valve following the check valve.

Cutter Rotation

DANGER



Risk of severe injury.

- Do not place hands, feet or clothing near the cutter mechanism when there is any possibility the pump is connected to a power source. This pump contains a cutting mechanism with very sharp edges that can cause severe bodily injury.

Check 3-phase models for proper cutter rotation prior to operation.

1. Ensure the wiring is complete and the disconnect switch is in the OFF position.
2. Lay the pump on its side and observe the cutter through the intake.
3. Turn disconnect switch to ON momentarily.
4. Verify that the cutter rotates counterclockwise.
5. If direction is wrong, interchange any two of three wires.

Electrical Connections

WARNING



Risk of severe injury or death by electrical shock, high temperatures, or pressurized fluids.

- To minimize risk of electrical shock, disconnect power before working on or around the system.
- In a 200-208 and 230 VAC direct wire installation, one side of the line going to the pump is always electrically energized, regardless of whether the liquid level control switch is open or closed. To avoid hazards when installing or servicing, install a double-pole disconnect near the pump installation.
- The flexible jacketed cord assembly mounted to the pump must not be modified in any way, with the exception of shortening the cord to fit into a control panel. Any splice between the pump and the control panel must be made within a junction box mounted outside of the basin and comply with the National Electrical Code. Employ a licensed electrician.
- Be sure the electrical connection cannot be reached by rising water. Under no circumstances should the junction box be located where it may become flooded or submerged by water.

1. Check the pump label for proper voltage required.
2. Connect to a circuit equipped with a ground fault circuit interrupter (GFCI) device if required by code.
 - Do not connect to a voltage other than that shown.
 - The pump should be connected or wired to its own circuit with no other electric receptacles or equipment in the circuit.
 - The fuses or circuit breaker should be of ample capacity in the electrical circuit. For amperage ratings, refer to nameplate and [“Specifications” on page 3](#).
3. For manual models, install a specific control panel and capacitor kit from FPS that matches the pump for proper operation and third-party approval.
4. For three-phase grinder pumps, use with approved motor control that matches motor input in full load amperes with overload elements selected or adjusted in accordance with control instructions.

OPERATION

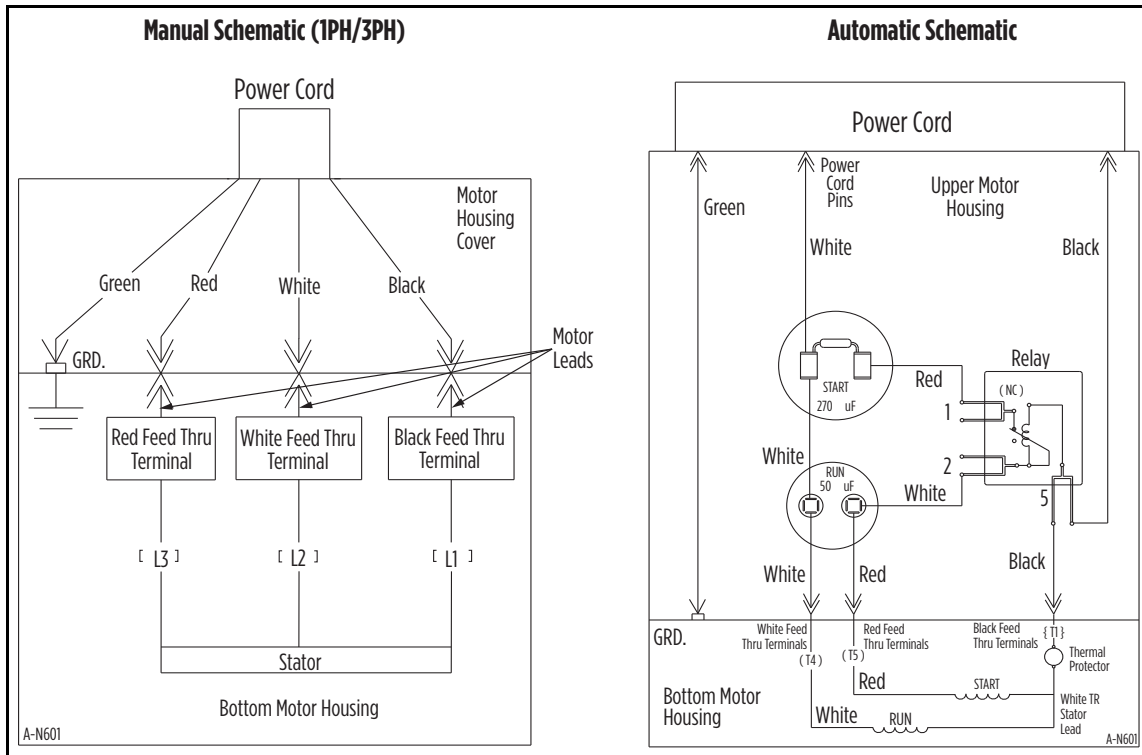
Electrical Connections

Thermal Protection

Run 3-phase motors through a control panel for thermal protection.

Single-phase motors are a continuous-duty type equipped with an automatic resetting heat sensor and may restart unexpectedly. Heat sensor opening is an indication of motor overloading/overheating, which must be corrected to extend the life of the pump. Refer to [“Troubleshooting” on page 9](#) for further details.

Wiring Schematic



OPERATION

CAUTION



Risk of personal injury or damage to pump or other equipment.

- This pump is equipped with a cutting mechanism that has very sharp edges. Use caution when working on or near these parts. Do not allow anything to enter the pump during testing.
- The float or ball portion of the switch must not be obstructed by the pump, the walls of the basin, the plumbing, or any wiring in the basin as it floats up or down. Contact with obstacles may cause the pump to continue running without water or to stop running when water is present, damaging the pump or other property.
- Do not run pump dry. If run dry, the surface of the pump will rise to a high temperature that could cause skin burns if touched, and will cause serious damage to the pump.

1. Connect the pump to power with correct voltage.
 - Refer to the pump nameplate.
2. Ensure the gate valve in the discharge line is open.
3. Run water into the basin until the pump is activated.

4. Ensure the pump and its control switch are functioning as intended.

NOTE: When these pumps are installed in a basin with a sealed cover, switch operation is not usually immediately observable. The basin cover will typically have a spare hole that is plugged with a rubber plug. This plug can be removed to view switch operation.

5. Make sure no potential obstructions exist that could inhibit switch operation.
6. Verify that there are no leaks in the pump discharge plumbing.

NOTE: It is normal for a stream of water to spray from the air bleed hole in the pump's plumbing. Confirm that this spray is captured within the basin.

7. Allow the pump to operate through several ON/OFF cycles.

MAINTENANCE

⚠ WARNING

Risk of severe injury or death by electrical shock, high temperatures, or pressurized fluids.

- Let pump cool for a minimum of 2 hours before attempting to service. Submersible pumps can become pressurized and hot under normal operating conditions.

⚠ CAUTION



Risk of personal injury or damage to pump or other equipment.

- Before working on pump, always disconnect pump power cord in addition to shutting off circuit breaker or removing the fuse. Always wear eye protection.
- This pump is equipped with a cutting mechanism that has very sharp edges. Use caution when working on or near these parts.
- Do not remove motor housing seal plate screws or top motor housing screws. The motor section of the pump is permanently lubricated with dielectric oil and sealed at the factory. Removal of these screws by anyone other than an authorized service center will break the seal and void the warranty.

Periodic Service

Periodic service of the pump should only be done by certified or licensed professionals. Inspect the pump system condition and operation every three months—more frequently in heavy use applications.

1. Disconnect power.

NOTE: In applications where screw type fuses are used, remove using only one hand while the other hand and torso are free from contact with anything.

2. Check the power cords and electrical outlet/control panel for damage or corrosion.
 - If the pump cord is damaged, replace the entire pump.
 - If the electrical outlet/control panel is damaged or corroded, a licensed electrician must replace the affected parts.
3. Remove all debris (gravel, sand, floating debris, etc.) from the basin.
4. Check the pump system components (basin, pump, switch, etc.) for any build-up (sludge, sediment, minerals, etc.) that would inhibit functionality of the components.
 - If significant, remove build-up or replace affected components.
5. Confirm that all flexible coupling hose clamps are fully engaged with plumbing and fully tightened.
6. Test operation of the pump system. Refer to [“Operation” on page 6](#).

Disassembly

1. Clean the pump of all debris and deposits.
2. Lay the pump on a smooth, hard surface.
3. Scribe a mark between the seal plate and volute for reference during reassembly.
4. Remove the three hex head screws that hold the volute to the seal plate.
5. Pull the volute from the seal plate.
 - If necessary, lightly tap the volute with a rubber hammer.
6. Remove the three hex head screws, retaining plate, and stationary cutter.
7. Unscrew the rotating cutter from the motor shaft.

NOTE: The stationary cutter can be removed without having to remove the volute.

8. Slide the impeller and key off the shaft.
9. Remove the seal ring.

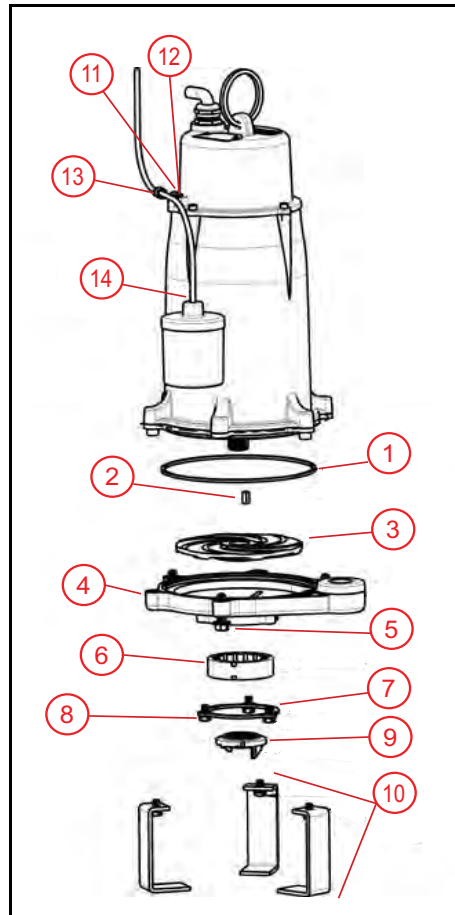
Reassembly

1. Insert the seal ring onto the motor seal plate.
2. Slide the key and impeller back onto the motor shaft.
3. Apply Loctite 242 to the new rotating cutter threads.
4. Screw the cutter onto the motor shaft.
5. Tap the rotating cutter until it is flush with the end of the motor shaft.
6. Install the stationary cutter onto the volute.
 - Secure the cutter retaining ring with the three hex head screws tightened to 100 in-lbs.
 - The stationary cutter can be flipped over from its previous use.
7. Ensure the volute and seal plate mounting surfaces are clean.
8. Realign the scribe marks made on the volute and the seal plate during disassembly.
9. Use a rubber mallet to mate the volute to the seal plate.
10. Apply Loctite 242 to the three hex head screws and tighten them to 100 in-lbs.
11. Ensure the rotating cutter and impeller rotates freely.
 - Insert a flat head screwdriver into the slot at the end of the motor shaft and spin the impeller.

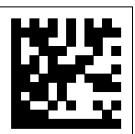
Troubleshooting

Problem	Probable Causes	Corrective Action
Pump does not turn on	Pump is not wired correctly	Check wiring diagram and connections.
	Circuit breaker is off or fuse is removed	Turn on circuit breaker or replace fuse.
	Accumulation of trash on float	Clean float.
	Float obstruction	Clean float path and provide clearance.
	Defective switch	Replace switch
	Defective motor	Replace pump.
Pump will not shut off	Float or float rod obstruction	Check float and float rod path and provide clearance.
	Pump is air locked	Remove pump and clean air bleed hole.
	Liquid inflow exceeds pump capacity	Larger pump required.
	Loose connection in level control wiring	Check control wiring for loose or improper connection.
	Defective switch	Replace switch.
Pump runs but does not discharge liquid	Check valve installed backwards	Check flow-indicating arrow on check valve body to ensure proper installation.
	Check valve stuck or plugged	Remove check valve and inspect for proper installation.
	Lift too high for pump	Check rated pump performance.
	Inlet to impeller plugged	Pull pump and clean.
	Pump is air locked	Remove pump and clean air bleed hole.
Pump does not deliver rated capacity	Lift too high for pump	Check rated pump performance.
	Low voltage, speed too slow	Check that supply voltage matches nameplate rating.
	Impeller or discharge pipe is clogged	Pull pump and clean. Check pipe for scale or corrosion.
	Impeller wear due to abrasives	Replace impeller.
Pump cycles continually	No check valve in long discharge pipe allowing water to drain back into basin	Install a check valve in the discharge line.
	Check valve leaking	Inspect check valve for correct operation.
	Basin too small for inflow	Install larger basin.
Water sprays out of a hole by a bolt on the base of the unit	This pump comes with a bleed hole that allows trapped air to escape from the pump, preventing air lock. Water spraying out of this hole is completely normal	No corrective action is required.
Pump is noisy	Too-rigid piping attachments	Use a connector or rubber hose to replace part of the discharge line.
	Cavitation caused by pump being run below the minimum head	Replace the pump.
	The pump runs backwards	Replace the pump. Interchange any two of three wires.
Circuit breaker trips	Improper wiring in junction box	Check wiring in junction box.
	Obstruction inside volute causing impeller to be locked	Remove volute to check impeller. Refer to “Disassembly” on page 8.
Protector tripping (motor overloading/overheating)	Obstructed pump impeller	Pull pump and clean.
	Switch stuck in the ON position	Clean float path and provide clearance.
	Pump running dry	Ensure the pump has an adequate inflow supply.
	Pump air-locked	Shut power off for approximately 1 minute, then restart. Repeat several times to clear air from pump.
	Pump short cycling	Inspect check valve for proper installation and operation.
	Excessively high or low voltage supply	Refer to “Specifications” on page 3.
	Inadequate wiring	Refer to “Electrical Connections” on page 5.
	Incorrect motor connections	
	Misapplication of the product	Inspect fixtures, inlets, and outlets for leaks. Repair and correct application as needed.
	Operating the pump at low heads (low discharge restriction)	Confirm pump performance and recheck sizing calculations.
	Pump, motor, bearings, or seal have reached the end of their useful life	Replace pump.

Replacement Parts



Item	Description	Order Number
1	Seal Ring	928048
2	Key	282542201
3	Impeller	120456101
4	Volute	120123801
5	Screw, washer, hex, 3/8-16 x 1½" (3)	14640256
6	Cutter, Stationary	120485
7	Retaining Plate	120476
8	Screw, washer, hex, 5/16-18 x ½" (3)	903740
9	Cutter, Rotational	120483
10	Grinder Leg Kit	599078
11	Screw	909022
12	Lock Washer	921023
13	Loop Clamp	927026
14	Float, 20 AMP, 30 ft	950348
	Float, 20 AMP, 50 ft	950349
6, 7, 8, 9	IGP Cutter Kit	14940131



For technical assistance, parts, or repair, please contact:

800.348.2420 | franklinengineered.com

998760 Rev. 003 01/23



Franklin Electric

Copyright © 2023, Franklin Electric, Co., Inc. All rights reserved.

Bombas trituradoras serie IGP-A & IGP-M

El manual del propietario



Indice

DESCRIPCIÓN DEL PRODUCTO - - - - -	13
Especificaciones - - - - -	13
<i>Tasas de flujo</i> - - - - -	13
INSTALACIÓN - - - - -	14
Instalación física - - - - -	14
<i>Rotación del cortador</i> - - - - -	15
Conexiones eléctricas - - - - -	15
<i>Protección térmica</i> - - - - -	16
<i>Esquema de cableado</i> - - - - -	16
OPERACIÓN - - - - -	16
MANTENIMIENTO - - - - -	17
Servicio periódico- - - - -	17
Desmontaje- - - - -	18
Rearmado - - - - -	18
Solución de problemas - - - - -	19
Piezas de repuesto - - - - -	20

INSTRUCCIONES SOBRE SEGURIDAD

La instalación y el mantenimiento de este equipo deben estar a cargo de personal con capacitación técnica que esté familiarizado con la correcta elección y uso de las herramientas, equipos y procedimientos adecuados. El hecho de no cumplir con los códigos eléctricos nacionales y locales y con las recomendaciones de FPS puede provocar peligros de descarga eléctrica o incendio, desempeños insatisfactorios o fallas del equipo.

Lea y siga las instrucciones cuidadosamente para evitar lesiones y daños a los bienes. No desarme ni repare la unidad salvo que esté descrito en este manual.

El hecho de no seguir los procedimientos de instalación o funcionamiento y todos los códigos aplicables puede ocasionar los siguientes peligros:

⚠ PELIGRO



Riesgo de muerte, lesiones graves o daños materiales por explosión, incendio o descarga eléctrica.

- No usar para bombear líquidos inflamables, combustibles o explosivos como gasolina, combustóleo, queroseno, etc.
- No usar en atmósferas explosivas ni lugares peligrosos según la clasificación de la NEC, ANSI/NFPA70.
- No manipule la bomba ni el motor de la bomba con las manos mojadas o parado sobre una superficie mojada o húmeda o en agua.
- Cuando haya una bomba en su aplicación, no toque el motor, las tuberías ni el agua sino hasta haber desenchufado o eléctricamente desconectado la unidad.
- Para evitar el riesgo de lesiones, desconecte la alimentación antes de realizar el mantenimiento. Nunca ponga el dedo cerca del impulsor del triturador o de la entrada de la bomba cuando el cable de la bomba esté conectado o cuando la bomba esté funcionando.
- No coloque las manos, los pies o la ropa cerca del mecanismo de corte cuando exista la posibilidad de que la bomba esté conectada a una fuente de alimentación. Esta bomba contiene un mecanismo de corte con bordes muy afilados que pueden causar lesiones corporales graves.


⚠ ADVERTENCIA



Riesgo de lesiones graves o muerte por descarga eléctrica.

- Para reducir el riesgo de descarga eléctrica, desconecte la energía antes de trabajar en el sistema o cerca de él. Es posible que sea necesario más de un interruptor de desconexión para cortar la energía del equipo antes de realizarle un mantenimiento.
- Compruebe los códigos eléctricos y de construcción locales antes de la instalación. La instalación debe estar de acuerdo con sus regulaciones, así como el National Electrical Code (NEC) más reciente y la ley de Seguridad y Salud Ocupacionales (OSHA).
- Cablee el sistema de bombeo para los voltajes correctos.
- La bomba deberá estar conectada a tierra debidamente. El producto se suministra con un conductor y un enchufe con conexión a tierra. Para reducir el riesgo de una descarga eléctrica, cerciórese de que estén enchufados solo a un receptáculo de conexión a tierra conectado adecuadamente. No retire la tercera clavija del enchufe. Esta tiene como objetivo conectar la bomba a tierra y evitar así un posible riesgo de descarga eléctrica. No emplee un cable de extensión.
- Para reducir el riesgo de descarga eléctrica, consulte el manual de instrucciones para una correcta instalación y método de conexión a tierra. Conecte la bomba y el controlador del interruptor flotante a un circuito derivado individual.
- Se recomienda un circuito derivado separado para cada bomba.
- La bomba solo se debe utilizar con líquidos compatibles con los materiales que componen la bomba. Si la bomba se utiliza con líquidos incompatibles con los componentes de la bomba, el líquido puede causar fallas en el sistema de aislamiento eléctrico, lo que resulta en una descarga eléctrica.
- Utilice el EPP adecuado cuando trabaje con bombas, depósitos o tuberías o alrededor de ellos. Estas bombas pueden estar sometidas a aguas residuales y gases de alcantarillado, que pueden transmitir enfermedades o dolencias.

⚠ PRECAUCIÓN



Riesgo de lesiones corporales, descargas eléctricas o daños materiales.

- Este equipo no deben usarlo niños ni personas con capacidades físicas, sensoriales o mentales reducidas, ni aquellos que carezcan de experiencia y capacitación, salvo que estén bajo supervisión o instrucción. Los niños no podrán usar el equipo ni jugar con la unidad o en las cercanías inmediatas.
- El equipo puede encenderse en forma automática. Siempre desenchufe el cable eléctrico de la bomba y desconecte la alimentación eléctrica antes de realizar el mantenimiento de la bomba.
- No aplique aceite al motor. La carcasa del motor de la bomba está sellada, y contiene un aceite dieléctrico de primera calidad para ofrecer transferencia de calor y lubricación de por vida. El uso de otros aceites puede provocar descargas eléctricas graves o daños permanentes a la bomba.
- No deje que la unidad se congele. La congelación puede causar agrietamiento o distorsión que puede destruir la unidad.
- Para uso con agua a 140 °F (60 °C) como máximo. Solo profesionales experimentados deben instalarlo.
- En aplicaciones donde una bomba no operativa o con fugas podría producir daños materiales o lesiones personales debido a interrupciones en el suministro eléctrico, obstrucciones en la línea de descarga u otros motivos, se debe instalar un sistema de respaldo automático y/o una alarma.
- Riesgo de descarga eléctrica. No retire el cable ni el alivio de tensión. No conecte el conducto a la bomba.
- La bomba debe conectarse a un panel de control. Las instrucciones de instalación se incluyen con todos los paneles de control Franklin Electric y deben consultarse para la instalación.
- En el caso de los modelos manuales, se proporcionará un dispositivo de control del motor aceptable en el momento de la instalación.
- No use el cable eléctrico para levantar la bomba.
- La bomba únicamente ha sido evaluada para su uso con agua. La bomba solo se debe utilizar con líquidos compatibles con los materiales que componen la bomba. Si la bomba se utiliza con líquidos incompatibles con los componentes de la bomba, el líquido puede causar fallas en el sistema de aislamiento eléctrico, lo que resulta en una descarga eléctrica.
- El funcionamiento de este equipo exige instrucciones detalladas para su instalación y funcionamiento que se encuentran en este manual para su uso con este producto. Lea la totalidad del manual antes de comenzar la instalación y la operación. El usuario final debe recibir y conservar el manual para usos futuros.
- Mantenga las etiquetas de seguridad limpias y en buenas condiciones.

AVISO

Riesgo de daños a bomba u otros equipos.

- Inspeccione periódicamente los componentes del sistema y la bomba. Revise regularmente las mangueras para controlar si están débiles o gastadas y asegúrese de que todas las conexiones sean seguras.
- Programa y realice servicios de mantenimiento de rutina, tal como se indica en la sección Mantenimiento del sistema.

DESCRIPCIÓN DEL PRODUCTO

Se recomienda el uso de bombas trituradoras sumergibles en sumideros o estaciones de bombeo y son adecuadas para bombear aguas servidas residenciales, efluentes, aguas residuales y otros líquidos no explosivos, no abrasivos y no corrosivos. Estas bombas utilizan un mecanismo de corte, ubicado en el lado de succión de la bomba, que corta los materiales sólidos y los convierte en una suspensión. Luego, un impulsor de semivórtice que no se atasca pasa esta suspensión directamente a través de la voluta y hacia la línea de descarga.

Algunas bombas trituradoras de la serie FPS-IGP están equipadas con un interruptor flotante que les permite funcionar automáticamente tras encenderlas y apagarlas. El interruptor flotante está conectado a la bomba a una longitud de correa predeterminada de 9 pulgadas (22.86 cm). Verifique la longitud de la correa de la bomba para asegurarse de que no haya cambiado durante el envío.

Este producto está cubierto por una garantía limitada durante un período de 2 años desde la fecha original de compra por parte del consumidor. Para obtener información completa sobre la garantía, consulte www.FranklinEngineered.com.

Especificaciones

No. de modelo	Voltios	Amperios	Vatios	HP	Fase
IGP-A231-20	208-230	13.9	3200	2	1
IGP-A231-30					
IGP-M231-15					
IGP-M231-30					
IGP-M233-30	460	10	1300		3
IGP-M463-30		4.5	1025		

NOTA: Los modelos IGP-A se pueden pedir sin flotadores automáticos incluidos.

Tasas de flujo

Litros / Galones por minuto en alturas							Apagado (m / pies)
3.0 m (10 pies)	6.1 m (20 pies)	12.2 m (40 pies)	18.3 m (60 pies)	24.4 m (80 pies)	30.5 m (100 pies)	36.6 m (120 pies)	
124.9 / 33	121.1 / 32	117.3 / 31	113.6 / 30	94.6 / 25	75.7 / 20	37.9 / 10	39.6 / 130

INSTALACIÓN

Instalación física

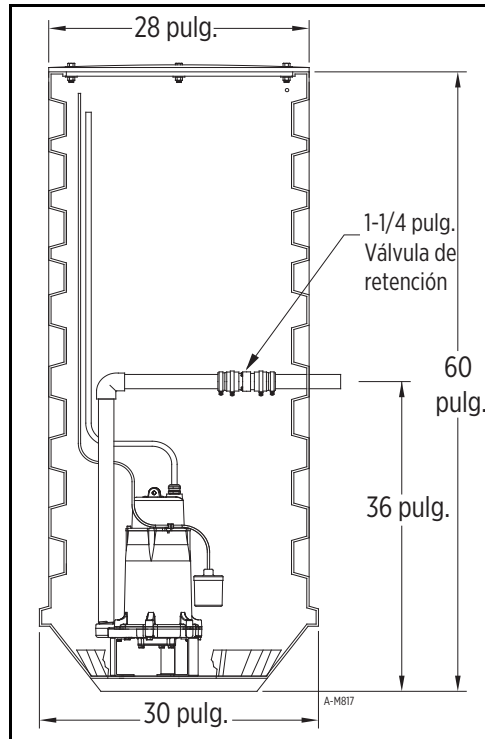
⚠ PRECAUCIÓN



Riesgo de lesiones corporales o daños a bomba o otros equipos.

- Verifique que el equipo de elevación cumpla con todas las reglas de seguridad y que sea adecuado para resistir el peso de la bomba.

1. Monte las tres patas de fundición de la voluta, los pernos y tuercas de las patas y la voluta, y apriételos con una llave de 1/2 pulgada o ajustable.
2. Instale la bomba en una batea colectora estanca adecuada de al menos 60.96 cm (24 pulg) de diámetro y 121.92 cm (48 pulg) de profundidad, con venteo conforme a los códigos de plomería locales, estatales y federales.
3. Coloque el conjunto de la bomba y el depósito sobre una superficie dura y nivelada.
 - Nunca coloque la bomba directamente sobre superficies de arcilla, tierra, o grava.
 - Asegure la bomba para que el torque de arranque no haga que la bomba entre en contacto con nada ni nadie.
4. Instale la tubería de descarga.
 - Nunca reduzca el tamaño de la tubería a un diámetro menor que el de descarga de la bomba.
 - Utilice tubos de ABS, PVC, polietileno o acero galvanizado.
 - Para sistemas de rieles, use adaptadores adecuados para conectar tuberías no metálicas.
5. Instale una válvula de retención de flujo total en la línea de descarga horizontalmente.
 - Se recomienda una válvula de retención de bola.



NOTA: Si se instala verticalmente, los sólidos pueden asentarse dentro de la válvula y evitar que se abra durante el arranque.

6. Perfore un orificio de alivio de 0.48 cm (3/16 pulg.) de diámetro en la tubería de descarga debajo de la línea de piso entre la descarga de la bomba y la válvula de retención.

NOTA: De lo contrario, podría producirse el bloqueo de aire de la bomba y no bombeará agua aunque esté en funcionamiento.

7. Instale una válvula de cierre después de la válvula de retención.

Rotación del cortador

⚠ PELIGRO



Riesgo de lesiones graves.

- No coloque las manos, los pies o la ropa cerca del mecanismo de corte cuando exista la posibilidad de que la bomba esté conectada a una fuente de alimentación. Esta bomba contiene un mecanismo de corte con bordes muy afilados que pueden causar lesiones corporales graves.

Compruebe que la cuchilla gira correctamente en los modelos trifásicos antes de ponerlos en funcionamiento.

1. Asegúrese de que el cableado esté completo y que el interruptor de desconexión esté en la posición "OFF" (APAGADO).
2. Coloque la bomba de lado y observe el cortador a través de la admisión.
3. Gire el interruptor de desconexión a "ON" (ENCENDIDO) por un momento.
4. Verifique que el cortador gire en sentido antihorario.
5. Si la dirección es incorrecta, intercambie dos de los tres cables.

Conexiones eléctricas

⚠ ADVERTENCIA



Riesgo de lesiones graves o muerte por descarga eléctrica, temperaturas elevadas o líquidos presurizados.

- Para minimizar el riesgo de descarga eléctrica, desconecte la energía antes de trabajar en o alrededor del sistema.
- En una instalación de cables directos de 200-208 y 230 V, un extremo de la línea que va hacia la bomba tiene electricidad siempre, sin importar si el interruptor del control de nivel del líquido está abierto o cerrado. Para evitar peligros a la hora de realizar la instalación o el mantenimiento, instale un interruptor de desconexión bipolar cerca de la instalación de la bomba.
- El conjunto de cables recubiertos flexibles montado a la bomba no se debe modificar en modo alguno, salvo para acortar el cable para adecuarlo al interior del panel de control. Todos los empalmes entre la bomba y el panel de control deben realizarse dentro de una caja de conexiones montada fuera de la cuenca y deben cumplir con el Código Eléctrico Nacional. Emplee un electricista autorizado.
- Asegúrese de que el nivel de agua no pueda alcanzar la conexión eléctrica. La caja de empalmes no debe ubicarse bajo ninguna circunstancia en un lugar que pueda inundarse o quedar sumergido.

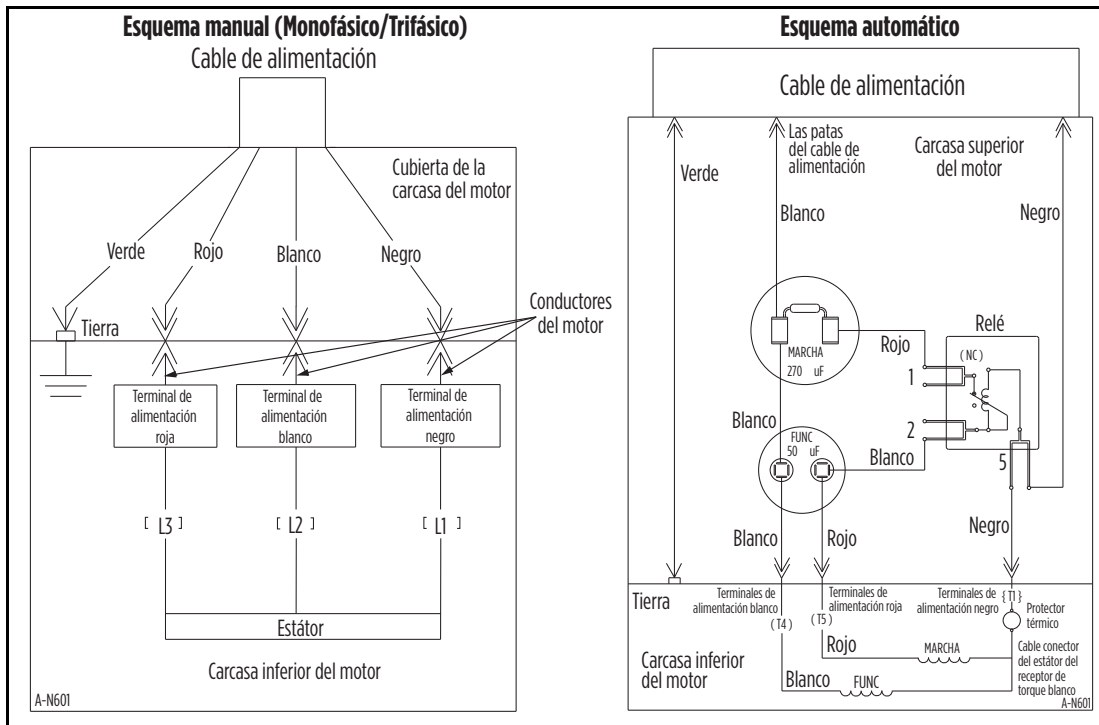
1. Consulte la etiqueta de la bomba para conocer el voltaje adecuado requerido.
2. Asegúrese de que la bomba esté conectada a un circuito que cuente con un interruptor de circuito por falla de conexión a tierra (GFCI, por si sigla en inglés) si lo requiere el eléctrico de su país.
 - No la conecte a un voltaje distinto al que figura.
 - La bomba se debe conectar o cablear en su propio circuito sin otras salidas o equipos en la línea de circuito.
 - Los fusibles y el disyuntor deben tener una capacidad amplia en el circuito eléctrico. Para conocer los valores de amperaje, consulte la placa de características y ["Especificaciones" en la página 13.](#)
3. En el caso de los modelos manuales, instale un panel de control específico y un kit de condensadores de FPS que se corresponda con la bomba para su correcto funcionamiento y la aprobación de terceros.
4. Use las bombas trituradoras trifásicas con un control de motor aprobado que se ajuste a la entrada del motor en amperes a plena carga con elementos de sobrecarga seleccionados o ajustados de acuerdo con las instrucciones del control.

Protección térmica

Haga funcionar los motores trifásicos a través de un panel de control para obtener protección térmica.

Los motores de una sola fase son del tipo de servicio continuo equipado con un sensor de calor de reinicio automático y puede reiniciarse inesperadamente. La apertura del sensor de calor es una indicación de sobrecarga/sobrecalentamiento del motor, que debe corregirse para prolongar la vida útil de la bomba. Consulte ["Solución de problemas" en la página 19](#) para más detalles.

Esquema de cableado



OPERACIÓN

⚠ PRECAUCIÓN



Riesgo de lesiones corporales o daños a bomba o otros equipos.

- Esta bomba se equipa de un mecanismo del corte que tenga bordes muy agudos. Tenga cuidado al trabajar encendido o acerque a estas piezas. No permita el ingreso de materiales extraños en la bomba durante la prueba.
- La parte del flotante o de la bola del interruptor no debe estar obstruida por la bomba, las paredes del sumidero, la instalación de plomería o ningún cableado en dicho sumidero mientras flota hacia arriba o hacia abajo. El contacto con obstáculos puede hacer que la bomba siga funcionando en seco o que deje de funcionar cuando hay todavía agua y así dañar la bomba u otro bien inmueble.
- No haga funcionar vacía la bomba. Si la hace funcionar vacía, la temperatura de la superficie de la bomba aumentará al punto que podría provocar quemaduras si se la toca y le causará serios daños a su bomba.

1. Conecte la bomba a una fuente de alimentación con el voltaje correcto.
 - Consulte la placa de identificación de la bomba.
2. Asegúrese de que la válvula de compuerta de la línea de descarga esté abierta.
3. Deje correr el agua hacia el recipiente hasta que la bomba se active.

4. Confirme que la bomba y su interruptor de control estén funcionando correctamente.

NOTA: Cuando estas bombas se instalan en un depósito con una tapa sellada, no se suele ver el funcionamiento del interruptor inmediatamente. La tapa del sumidero suele tener un agujero de repuesto que se tapa con un tapón de goma. Este tapón se puede retirar para ver el funcionamiento del interruptor.

5. Confirme que no haya obstrucciones posibles que pudieran impedir el funcionamiento del interruptor.
6. Compruebe que no haya fugas en la instalación de plomería para la descarga de la bomba.

NOTA: Es normal que un chorro de agua salga desde el orificio de respiración en las tuberías de la bomba principal. Confirme que este chorro que sale quede atrapado dentro del recipiente.

7. Deje que la bomba funcione a través de múltiples ciclos de encendido/apagado.

MANTENIMIENTO

⚠️ ADVERTENCIA

Riesgo de lesiones graves o muerte por descarga eléctrica, temperaturas elevadas o líquidos presurizados.

- Deje que la bomba se enfríe al menos 2 horas antes de intentar realizarle mantenimiento. Las bombas sumergibles contienen aceite que se presuriza y calienta en condiciones de operación normales.

⚠️ PRECAUCIÓN



Riesgo de lesiones corporales o daños a bomba o otros equipos.

- Antes de trabajar en la bomba o el interruptor, desconecte siempre el cable eléctrico de la bomba además de apagar el interruptor o de quitar el fusible. Siempre protección de ojo del desgaste.
- Esta bomba se equipa de un mecanismo del corte que tenga bordes muy agudos. Tenga cuidado al trabajar encendido o acerque a estas piezas.
- No retire los tornillos de la placa de sellado de la carcasa del motor ni los tornillos superiores de la carcasa del motor. La sección del motor de la bomba se lubrica permanentemente con aceite dieléctrico y se sella en la fábrica. El retiro de estos tornillos por cualquier persona con excepción de un centro de servicio autorizado romperá el sello y anulará la garantía.

Servicio periódico

Solo profesionales certificados o autorizados deben realizar el servicio periódico de la bomba. Se debe controlar el estado y el funcionamiento del sistema de la bomba cada tres meses (con más frecuencia en aplicaciones de uso intensivo).

1. Desconecte la alimentación.

NOTA: En aplicaciones donde se utilizan fusibles con tornillo, retírelos con una sola mano y asegúrese de que la otra mano y el torso no estén en contacto con nada.

2. Verifique que no haya daños o corrosión en los cables de alimentación y en la salida eléctrica o el panel de control.
 - Si el cable de la bomba está dañado, se debe reemplazar toda la bomba.
 - Si el tomacorriente o el panel de control están dañados o corroídos, un electricista autorizado debe sustituir las piezas afectadas.
3. Retire todos los desechos (grava, arena, escombros flotantes, etc.) de la cuenca.
4. Revise los componentes del sistema de la bomba (recipiente, bomba, interruptor, etc.) para detectar acumulaciones (lodo, sedimentos, minerales, etc.) que podrían impedir la funcionalidad de los componentes.
 - Si es necesario, retire la acumulación o reemplace los componentes afectados.

MANTENIMIENTO

Desmontaje

5. Confirme que todas las abrazaderas flexibles de la manguera de acoplamiento estén completamente enroscadas con la tubería y firmemente ajustadas.
6. Pruebe la operación del sistema de la bomba. Consulte [“Operación” en la página 16.](#)

Desmontaje

1. Limpie la bomba de todos los desechos y depósitos.
2. Coloque la bomba sobre una superficie dura y lisa.
3. Escriba una marca entre la placa del sello y la voluta para tener una referencia a la hora de volver a ensamblar.
4. Retire los tres tornillos de cabeza hexagonal que sujetan la voluta a la placa del sello.
5. Extraiga la voluta de la placa del sello.
 - En caso de ser necesario, golpee ligeramente la voluta con un martillo de goma.
6. Retire los tres tornillos de cabeza hexagonal, la placa de retención y el cortador fijo.
7. Desatornille el cortador giratorio del eje del motor.

NOTA: El cortador fijo se puede quitar sin tener que quitar la voluta.

8. Deslice el impulsor y la llave fuera del eje.
9. Retire el anillo de sellado.

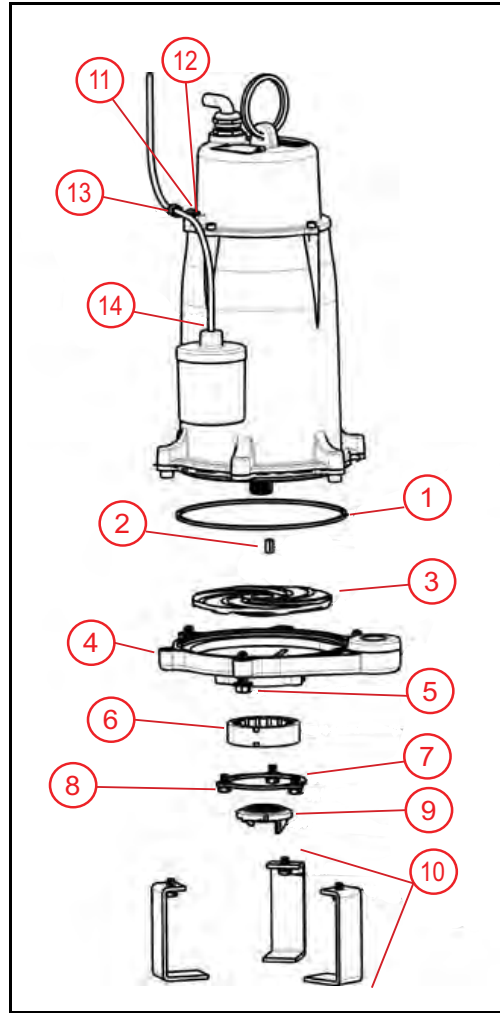
Rearmado

1. Inserte el anillo de sellado en la placa de sellado del motor.
2. Deslice la llave y el impulsor nuevamente sobre el eje del motor.
3. Aplique Loctite 242 en las nuevas roscas del cortador giratorio.
4. Atornille el cortador al eje del motor.
5. Golpee la cuchilla giratoria hasta que quede al ras del extremo del eje del motor.
6. Instale el cortador fijo en la voluta.
 - Fije el anillo de retención de la cuchilla con los tres tornillos de cabeza hexagonal apretados a 100 in-lb.
 - La cuchilla fija puede voltearse de su uso anterior.
7. Asegúrese de que las superficies de montaje de la placa del sello y la voluta estén limpias.
8. Vuelva a alinear las marcas que hizo en la voluta y la placa del sello durante el desmontaje.
9. Utilice un martillo de goma para acoplar la voluta a la placa de sello.
10. Aplique Loctite 242 en los tres tornillos de cabeza hexagonal y apriételos a 100 pulg-lbs.
11. Asegúrese de que el cortador giratorio y el impulsor puedan girar sin problemas.
 - Introduzca un destornillador de cabeza plana en la ranura del extremo del eje del motor y haga girar el impulsor.

Solución de problemas

Problema	Causas probables	Acción correctiva
La bomba no se enciende	La bomba no está conectada de manera correcta	Consulte el diagrama de cableado y las conexiones.
	Se retiró el cierre del disyuntor o el fusible	Encienda el disyuntor o reemplace el fusible.
	Acumulación de residuos sobre el flotante	Limpie el flotante.
	Obstrucción del flotante	Limpie el recorrido del flotante y deje espacio libre.
	Interruptor defectuoso	Reemplace el interruptor.
	Motor defectuoso	Reemplace la bomba.
La bomba no se apaga	Obstrucción del flotante o de la varilla del flotante	Revise el recorrido del flotante y la varilla del flotante y deje espacio libre.
	La bomba está bloqueada por aire	Retire la bomba y limpie el orificio de purga de aire.
	El flujo de entrada de líquido excede la capacidad de la bomba	Se requiere una bomba más grande.
	Conexión floja en el cableado del control de nivel	Compruebe si el cableado de control está suelto o mal conectado.
	Interruptor defectuoso.	Reemplace el interruptor.
La bomba funciona pero no descarga líquido.	Válvula de retención instalada al revés	Revise en el cuerpo de la válvula de retención la flecha que indica la dirección de flujo para garantizar que la instalación sea correcta.
	Válvula de retención atascada u obstruida	Quite la válvula de retención y revísela para comprobar que funcione bien.
	Elevación demasiado alta para la bomba	Vérifíez le rendement de la pompe nominale.
	Entrada al impulsor obstruido	Quite la bomba y límpiela.
	La bomba está bloqueada por aire	Retire la bomba y limpie el orificio de purga de aire.
La bomba no cumple con la capacidad nominal	Elevación demasiado alta para la bomba.	Revise el desempeño nominal de la bomba.
	Bajo voltaje, velocidad demasiado lenta.	Compruebe si hay una fuente de tensión correcta.
	El impulsor o la tubería de descarga están obstruidos	Quite la bomba y límpiela. Revise si la tubería tiene sarro o señales de corrosión.
	Desgaste del impulsor causado por abrasivos	Reemplace el impulsor.
La bomba se enciende y se apaga continuamente	No hay válvula de retención en la tubería de descarga larga, lo que permite que el agua se devuelva al colector.	Instale la válvula de retención en la línea de descarga.
	Fugas en la válvula de retención	Instale la válvula de retención de modo que funcione correctamente.
	Colector demasiado pequeño para el flujo entrante	Instale un colector más grande.
Sale agua expulsada a través de un orificio controlado por un perno en la base la unidad.	Esta bomba viene con un respiradero que permite que el aire atrapado escape de la bomba evitando las bolsas de aire. Es completamente normal que salga agua de este orificio	No se requiere ninguna acción correctiva.
La bomba hace ruido	Accesorios de tubería demasiado rígidos	Utilice un conector o una manguera de goma para reemplazar una parte de la línea de descarga.
	Cavitación causada porque la bomba se ejecuta por debajo de la carga mínima	Reemplace la bomba.
	La bomba funciona al revés	Reemplace la bomba. Intercambie dos de los tres cables.
El disyuntor se desconecta	Cableado incorrecto en la caja de empalmes	Controle los cables en la caja de empalmes.
	Obstrucción dentro de la voluta que hace que el impulsor se bloquee	Retire la voluta para controlar el impulsor. Consulte “Desmontaje” en la página 18.
El accionamiento de protector (sobrecarga/sobrecalentamiento del motor)	Un impulsor de bomba obstruido	Quite la bomba y límpiela.
	Un interruptor atascado en la posición de encendido	Revise el recorrido del flotante y deje espacio libre.
	Una marcha en seco de la bomba	Asegúrese de que la bomba tiene un suministro de entrada adecuado.
	La bomba está bloqueada por un bolsillo de aire	Desconecte la alimentación durante aproximadamente 1 minuto y vuelva a encenderla. Repita varias veces para eliminar el aire en la bomba.
	Un ciclo corto de la bomba	Inspeccione la válvula de retención para comprobar su correcta instalación y funcionamiento.
	Suministro de tensión muy alto o muy bajo	Consulte “Especificaciones” en la página 13.
	Cableado inadecuado	Consulte “Conexiones eléctricas” en la página 15.
	Conexiones incorrectas del motor	Consulte “Conexiones eléctricas” en la página 15.
	Aplicación incorrecta del producto	Inspeccione los accesorios, las entradas y las salidas en busca de fugas. Repare y corrija la aplicación según sea necesario.
	Funcionamiento de la bomba a bajos potenciales hidráulicos (baja restricción de descarga)	Confirme el rendimiento de la bomba y vuelva a comprobar los cálculos de tamaño.
La bomba, el motor, los cojinetes o las juntas hayan alcanzado la finalización de su vida útil	Reemplace la bomba.	

Piezas de repuesto



Artículo	Descripción	Número de orden
1	Anillo de sellado	928048
2	Llave	282542201
3	Impulsor	120456101
4	Difusor	120123801
5	Tornillo, arandela y hexagonal, 3/8-16 x 1½ pulg. (3)	14640256
6	Cortador, fijo	120485
7	Placa de retención	120476
8	Tornillo, arandela y hexagonal, 5/16-18 x ½ pulg. (3)	903740
9	Cortado, giratorio	120483
10	Kit de pies de la bomba trituradora	599078
11	Tornillo	909022
12	Arandela de seguridad	921023
13	Abrazadera de bucle	927026
14	Flotador, 20 Amperios, (9.1 m) 30 pies	950348
	Flotador, 20 Amperios, (15.2 m) 50 pies	950349
6, 7, 8, 9	Kit del cortador IGP	14940131



Para la ayuda técnica, por favor póngase en contacto:

800.348.2420 | franklinengineered.com

998760 Rev. 003 01/23



Franklin Electric

Copyright © 2023, Franklin Electric, Co., Inc. Todos los derechos están reservados.

Pompes de broyage série IGP-A & IGP-M

Manuel du propriétaire



Table des matières

DESCRIPTION DU PRODUIT - - - - -	23
Spécifications - - - - -	23
Débits - - - - -	23
INSTALLATION - - - - -	24
Installation physique - - - - -	24
Rotation de fraise - - - - -	25
Branchements électriques- - - - -	25
Protection thermique - - - - -	26
Schéma de câblage- - - - -	26
FONCTIONNEMENT - - - - -	26
ENTRETIEN - - - - -	27
Service périodique - - - - -	27
Démontage - - - - -	28
Remontage- - - - -	28
Dépannage- - - - -	29
Pièces de rechange - - - - -	30


CONSIGNES DE SÉCURITÉ

Cet équipement doit être installé et entretenu par des techniciens qualifiés capables de choisir et d'utiliser les outils, les équipements et les procédures appropriés. Le non-respect des codes électriques nationaux et locaux et des recommandations de FPS peut entraîner un risque de choc électrique ou d'incendie, des problèmes de performance, ou une panne de l'équipement.

Lisez et suivez attentivement les instructions pour éviter toute blessure ou tout dommage matériel. Ne démontez pas et ne réparez pas l'appareil si ces opérations ne sont pas décrites dans le présent manuel.


Le non-respect des procédures d'installation ou d'utilisation et de tous les codes en vigueur peut entraîner les risques suivants :

⚠ DANGER

 **Risque de mort, de blessure corporelle ou de dommage matériel en raison d'une explosion, d'un incendie ou d'une électrocution.**




- Ne pas utiliser pour pomper des liquides inflammables, combustibles ou explosifs comme l'essence, le mazout, le kérosène, etc.
- Ne pas utiliser dans une atmosphère explosive ou un emplacement dangereux selon le Code national de l'électricité, ANSI/NFPA70.
- Ne pas manipuler une pompe ou un moteur de pompe avec les mains mouillées ou debout sur une surface humide ou mouillée, ou dans de l'eau.
- Lorsqu'une pompe est en mode de fonctionnement, ne pas toucher le moteur, les tuyaux ou l'eau tant que l'unité n'a pas été débranchée ou déconnectée électriquement.
- Pour éviter tout risque de blessure, débranchez l'alimentation avant de procéder à l'entretien. Ne mettez jamais un doigt près de la roue du broyeur ou de l'entrée de la pompe lorsque le cordon de la pompe est branché ou lorsque la pompe fonctionne.
- Ne placez pas les mains, les pieds ni les vêtements à proximité du mécanisme de coupe lorsqu'il y a une possibilité que la pompe soit branchée à une source d'alimentation. Cette pompe est équipée d'un mécanisme de coupe avec des bords très tranchants qui peuvent causer des blessures graves.

⚠ AVERTISSEMENT

 **Risque de blessure grave ou de mort par électrocution.**

- Pour réduire le risque de choc électrique, débranchez l'alimentation avant de travailler sur le système ou autour de celui-ci. Plusieurs interrupteurs d'isolement peuvent être nécessaires pour décharger l'équipement avant de procéder à son entretien.
- Vérifiez les codes locaux d'électricité et de bâtiment avant l'installation. L'installation doit être conforme à la réglementation ainsi qu'au NEC (Code américain de l'électricité) le plus récent et l'OSHA (loi sur la santé et la sécurité au travail des États-Unis).
- Raccorder le système de pompe en respectant la tension indiquée.
- La pompe doit être correctement mise à la terre. Ce produit est équipé d'un conducteur de mise à la terre et d'une fiche de branchement de type mise à la terre. Pour réduire le risque de décharge électrique, assurez-vous que le système est correctement raccordé à une prise avec mise à la terre uniquement. Ne retirez pas la troisième broche de la fiche. La troisième broche permet de mettre la pompe à la terre afin d'éviter les éventuelles décharges électriques. Ne pas utiliser de rallonge.
- Pour réduire les risques de chocs électriques, consultez le manuel d'instructions pour une installation correcte et la méthode de mise à la terre. Connectez la pompe et le contrôleur de l'interrupteur à flotteur à un circuit individuel de branchement.
- Un circuit de dérivation distinct est recommandé pour chaque pompe.
- La pompe doit être utilisée uniquement avec des liquides compatibles avec les matériaux de ses composants. Si la pompe est utilisée avec des liquides incompatibles avec les composants de la pompe, le liquide peut provoquer une défaillance du système d'isolation électrique entraînant un choc électrique.
- Portez l'ÉPI approprié lorsque vous travaillez sur des pompes, des bassins ou de la tuyauterie, ou autour d'eaux. Ces pompes peuvent être soumises à des eaux usées et à des gaz d'égoût, qui peuvent transmettre des maladies.

⚠ ATTENTION

   **Risque de blessure, de choc électrique ou de dégâts matériels.**

- Cet équipement ne doit pas être utilisé par des enfants ou des personnes aux capacités physiques, sensorielles ou cognitives réduites, ou par des personnes n'ayant pas l'expérience ou l'expertise appropriée, sauf si ces personnes sont supervisées ou ont reçu des instructions à cet effet. Les enfants ne doivent pas utiliser l'équipement ni jouer avec l'appareil ou dans sa proximité immédiate.
- L'équipement peut démarrer automatiquement. Toujours débrancher le cordon d'alimentation de la pompe et couper l'alimentation électrique avant d'entretenir la pompe.
- Ne pas graisser le moteur. Le carter moteur de la pompe est scellé et renferme une huile diélectrique de qualité supérieure pour la transmission de chaleur et la lubrification à vie. L'utilisation d'autres huiles peut causer de graves électrocutions et/ou des dommages permanents de la pompe.
- Ne laissez pas l'appareil geler. Le gel peut provoquer des fissures ou des déformations qui peuvent endommager l'appareil.
- À utiliser avec de l'eau d'une température maximale de 60 °C (140 °F). Ne doit être installé que par des professionnels expérimentés.
- Dans les applications où des dommages matériels et/ou des blessures corporelles pourraient découler du non-fonctionnement ou d'une fuite de la pompe en raison de pannes de courant, d'une obstruction de la ligne d'évacuation ou de toute autre raison, un système de sauvegarde automatique et/ou une alarme doivent être installés.
- Risque de décharge électrique. Ne retirez pas le cordon et la décharge de traction. Ne connectez pas le conduit à la pompe.
- La pompe doit être câblée dans un panneau de commande. Les instructions d'installation sont incluses avec tous les panneaux de commande Franklin Electric et doivent être consultées pour l'installation.
- Pour les modèles manuels, un dispositif de commande du moteur acceptable doit être fourni au moment de l'installation.
- Ne pas soulever la pompe à l'aide du cordon électrique.
- La pompe a été évaluée pour être utilisée avec de l'eau uniquement. La pompe doit être utilisée uniquement avec des liquides compatibles avec les matériaux de ses composants. Si la pompe est utilisée avec des liquides incompatibles avec les composants de la pompe, le liquide peut provoquer une défaillance du système d'isolation électrique entraînant un choc électrique.
- L'utilisation de cet équipement nécessite les instructions d'installation et d'utilisation détaillées fournies dans le présent manuel à utiliser avec ce produit. Lisez le manuel intégralement avant de procéder à l'installation et à l'utilisation du produit. L'utilisateur final doit recevoir et conserver le manuel pour consultation ultérieure.

AVIS

Risque de dommages à la pompe ou d'autres équipements.

- Inspecter périodiquement la pompe et les composants du système. Vérifier régulièrement que les tuyaux flexibles ne montrent pas de signe de faiblesse ou d'usure et que les branchements sont tous fiables.
- Prévoir et effectuer un entretien régulier, conformément aux exigences énoncées à la section sur l'entretien.

DESCRIPTION DU PRODUIT

Les pompes de broyage submersibles sont recommandées pour une utilisation dans les bassins ou les stations de relèvement et conviennent au pompage des eaux usées résidentielles, des effluents, des eaux usées et d'autres liquides non explosifs, non abrasifs et non corrosifs. Ces pompes sont équipées d'un mécanisme de coupe, situé du côté de l'aspiration de la pompe, qui découpe les solides et les transforment en boue. Une roue à semi-vortex imbouchable fait ensuite passer cette boue directement à travers la volute et dans la conduite de refoulement.

Certaines pompes broyeuses de série FPS IGP sont équipées d'un interrupteur à flotteur qui permet de faire fonctionner automatiquement les pompes en les manoeuvrant. L'interrupteur à flotteur est fixé à la pompe avec une longe d'une longueur prédéterminée de 9 pouces (22,86 cm). Vérifiez la longueur de la longe sur la pompe pour vous assurer qu'elle n'a pas changé pendant le transport.

Ce produit est couvert par une garantie limitée pour une période de 2 ans à compter de la date d'achat initial par le consommateur. Pour obtenir de plus amples renseignements sur la garantie, consultez www.FranklinEngineered.com.

Spécifications

Numéro do modèle	Volts	Ampère	Watts	CH	Phase
IGP-A231-20	208-230	13.9	3200	2	1
IGP-A231-30					
IGP-M231-15					
IGP-M231-30					
IGP-M233-30	460	10	1300	3	
IGP-M463-30		4.5	1025		

REMARQUE : Les modèles IGP-A peuvent être commandés sans les flotteurs automatiques.

Débits

Litres / Gallons par minute en hauteur							Éteindre (pi / m)
3,0 m (10 pi)	6,1 m (20 pi)	12,2 m (40 pi)	18,3 m (60 pi)	24,4 m (80 pi)	30,5 m (100 pi)	36,6 m (120 pi)	
124.9 / 33	121.1 / 32	117.3 / 31	113.6 / 30	94.6 / 25	75.7 / 20	37.9 / 10	39.6 / 130

INSTALLATION

Installation physique

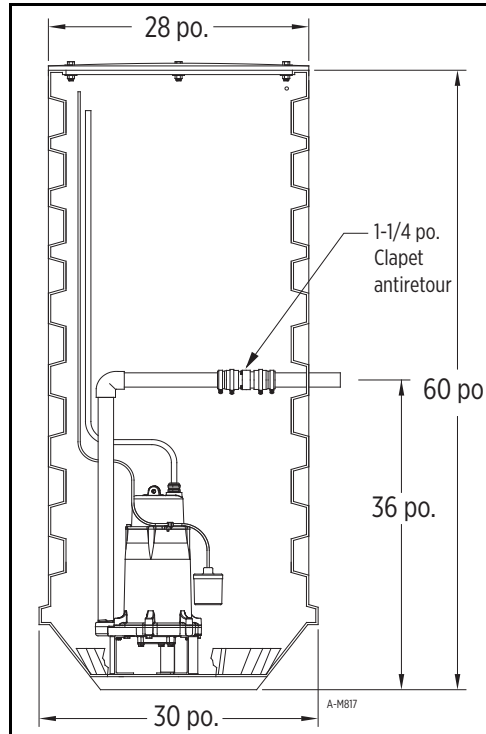
⚠ ATTENTION



Risque de blessures corporelle ou de dommage à la pompe ou d'autres équipements.

- Vérifiez que le matériel de levage est conforme à toutes les règles de sécurité et qu'il convient pour supporter le poids de la pompe.

1. Assemblez les trois pattes de coulée de la volute, les boulons et écrous des pattes et la volute, puis serrez-les avec une clé de 12,7 mm (1/2 po) ou une clé à molette.
2. Installez la pompe dans un bassin approprié étanche au gaz d'au moins 60,96 cm (24 po.) de diamètre et 121,92 cm (24 po) de profondeur et ventilé conformément aux codes locaux, étatiques et fédéraux de plomberie.
3. Placez l'ensemble pompe-bassin sur une surface dure et plane.
 - Ne placez jamais la pompe directement sur de l'argile, de la terre ou du gravier.
 - Fixez la pompe de façon à ce que le couple de démarrage n'entraîne aucun contact de la pompe avec qui que ce soit ou quoi que ce soit.
4. Installez la tuyauterie de refoulement.
 - N'utilisez pas de tuyauterie plus petite que le refoulement de la pompe.
 - Utilisez des tuyaux en ABS, en PVC, en polyéthylène ou en acier galvanisé.
 - Pour les systèmes de rails, utilisez les adaptateurs appropriés pour raccorder les tuyaux non métalliques.
5. Installez un clapet anti-retour à plein débit dans la tuyauterie de refoulement horizontalement.
 - Un clapet à bille est recommandé.



REMARQUE : Avec une installation à la verticale, les solides peuvent se déposer dans le et l'empêcher de s'ouvrir au démarrage.

6. Percez un orifice de sûreté de 3/16 po (4,8 mm) de diamètre dans le tuyau de refoulement situé sous le niveau du plancher entre le refoulement de la pompe et le clapet anti-retour.

REMARQUE : Si un tel orifice de sûreté n'est pas percé, la pompe peut être « bloquée par de l'air » et elle ne pompe pas d'eau, même si elle est en marche.

7. Installez une soupape d'arrêt après le clapet antiretour.

Rotation de fraise

DANGER



Risque de blessure grave.

- Ne placez pas les mains, les pieds ni les vêtements à proximité du mécanisme de coupe lorsqu'il y a une possibilité que la pompe soit branchée à une source d'alimentation. Cette pompe est équipée d'un mécanisme de coupe avec des bords très tranchants qui peuvent causer des blessures graves.

Vérifiez la rotation correcte du couteau sur les modèles triphasés avant de les utiliser.

1. Assurez-vous que le câblage est terminé et que le sectionneur est en position d'arrêt (OFF).
2. Déposez la pompe sur le côté et observez la fraise à travers l'entrée.
3. Placez momentanément le sectionneur en position de marche (ON).
4. Assurez-vous que la fraise tourne dans le sens antihoraire.
5. Si la direction est mauvaise, interchangez deux des trois fils.

Branchements électriques

AVERTISSEMENT



Risque de blessure grave ou de mort par électrocution, température élevée ou liquide sous pression.

- Pour réduire le risque de choc électrique, débranchez l'alimentation avant de travailler sur ou autour du système.
- Lors d'un câble direct de 200-208 et 230 VAC, un côté de la ligne reliée à la pompe est toujours alimenté électriquement, que l'interrupteur de contrôle du niveau de liquide soit ouvert ou fermé. Afin de prévenir tout ris que lors de l'installation ou de l'entretien, installez un dispositif de découplage bipolaire à proximité de l'installation de la pompe.
- Le cordon flexible enveloppé monté sur la pompe ne peut être modifié d'aucune manière que ce soit. Il peut uniquement être raccourci si cela est nécessaire pour le faire rentrer dans le panneau de commande. Toute épissure entre la pompe et le panneau de commande doit être réalisée dans une boîte de jonction montée à l'extérieur du bassin, en conformité avec le code national de l'électricité. Faire appel à un électricien agréé.
- Assurez-vous que les branchements électriques ne peuvent pas être en contact avec l'eau si son niveau augmente. La boîte de jonction ne doit en aucun cas être placée à un endroit où elle pourrait être submergée par l'eau.

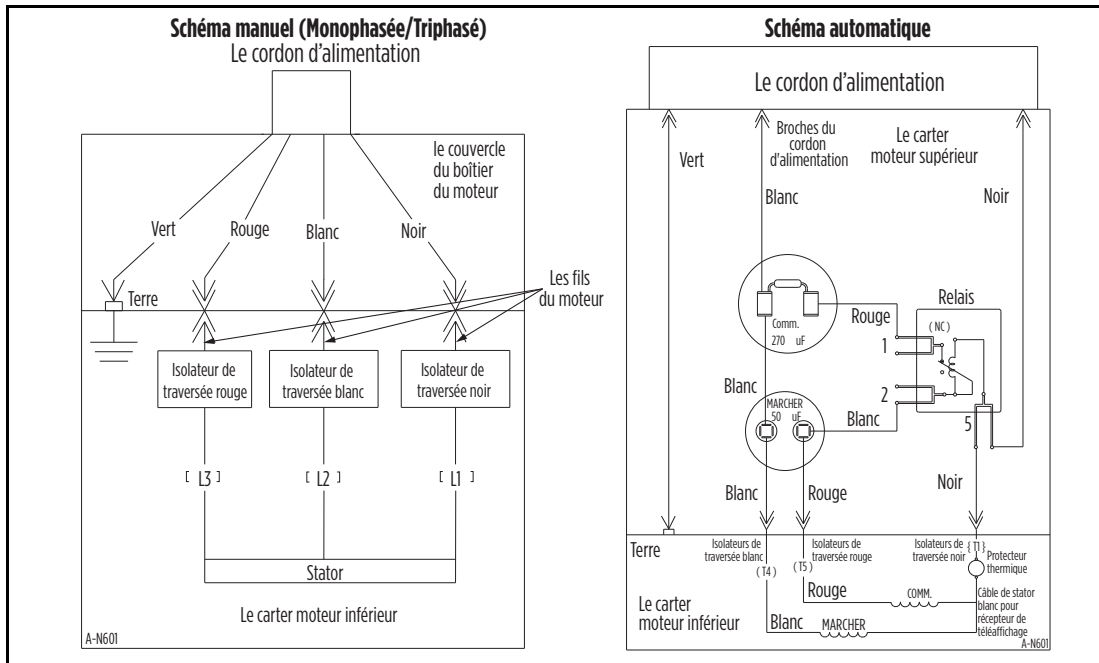
1. Vérifiez l'étiquette de la pompe pour la tension appropriée requise. Ne branchez pas à une tension autre que celle indiquée.
2. Assurez-vous que cette pompe est raccordée à un circuit doté d'un disjoncteur différentiel de fuite à la terre (DDFT) si requis par le code.
 - Ne branchez pas à une tension autre que celle indiquée.
 - La pompe doit être connectée ou branchée sur son propre circuit, sans autre prise ou équipement sur la ligne du circuit.
 - Les fusibles et les disjoncteurs doivent être d'une capacité suffisante dans le circuit électrique. Pour les ampérages, consultez la plaque signalétique et [« Spécifications » page 23](#).
3. Pour les modèles manuels, installez un panneau de commande et une ensemble de condensateur spécifiques de FPS qui correspondent à la pompe pour un fonctionnement correct et une approbation par une tierce partie.
4. Pour les pompes de broyage triphasées, utiliser une commande de moteur approuvée qui correspond à l'entrée du moteur en ampères à pleine charge avec des éléments de surcharge sélectionnés ou réglés conformément aux instructions de la commande.

Protection thermique

Intégrez les moteurs triphasés à un panneau de commande à des fins de protection thermique.

Les moteurs monophasés sont des moteurs à fonctionnement continu équipés d'un capteur de chaleur à réarmement automatique et peuvent redémarrer de manière inattendue. L'ouverture du capteur de chaleur est une indication de surcharge/surchauffe du moteur, qui doit être corrigée pour prolonger la vie de la pompe. Consultez la section « [Dépannage](#) » page 29 pour plus de détails.

Schéma de câblage



FONCTIONNEMENT

⚠ ATTENTION



Risque de blessures corporelle ou de dommage à la pompe ou d'autres équipements.

- Cette pompe est équipée d'un mécanisme de découpage qui a les bords très pointus. Faites attention en travaillant dessus ou approchez-vous de ces pièces. Évitez toute pénétration quelconque dans la pompe durant l'essai.
- Le flotteur ou la partie sphérique de l'interrupteur ne doit pas être obstrué par la pompe, les parois du bassin, la plomberie ou tout câblage dans le bassin quand il flotte vers le haut ou vers le bas. Le contact avec des obstacles peut faire en sorte que la pompe continue de fonctionner sans eau ou s'arrête de fonctionner en présence d'eau, endommageant la pompe ou d'autres biens.
- Ne pas faire fonctionner la pompe à sec. En cas de fonctionnement à sec, la température à la surface de la pompe augmentera à un niveau susceptible de causer des brûlures cutanées en cas de contact et entraînera de graves dommages à votre pompe.

1. Raccordez la pompe à une alimentation avec une tension correcte.
 - Consultez la plaque signalétique de la pompe.
2. Assurez-vous que le robinet-vanne du conduit de refoulement est ouvert.
3. Faites couler de l'eau dans le bassin jusqu'à ce que la pompe principale démarre.

4. Confirmez que la pompe et son interrupteur de commande fonctionnent comme ils le devraient.
REMARQUE : Lorsque ces pompes sont installées dans un bassin doté d'un couvercle étanche, le fonctionnement du sectionneur n'est généralement pas observable immédiatement. Le couvercle du bassin comporte généralement un trou de recharge bouché par un bouchon en caoutchouc. Ce bouchon peut être retiré pour visualiser le fonctionnement de l'interrupteur.
5. Assurez-vous qu'aucune obstruction éventuelle n'est susceptible d'entraver le fonctionnement de l'interrupteur.
6. Vérifiez qu'il n'y a pas de fuites dans la tuyauterie de décharge de la pompe.
REMARQUE : Il est normal qu'un filet d'eau s'échappe de l'orifice de prise d'air de la plomberie de la pompe. Assurez-vous que ce filet est recueilli à l'intérieur du bassin.
7. Laissez la pompe fonctionner pendant plusieurs cycles de marche/arrêt.

ENTRETIEN

⚠ AVERTISSEMENT

Risque de blessure grave ou de mort par électrocution, température élevée ou liquide sous pression.

- Laisser la pompe refroidir pendant au moins deux heures avant toute tentative d'entretien. Les pompes immergées contiennent de l'huile qui devient chaude et sous pression dans des conditions normales d'utilisation.

⚠ ATTENTION



Risque de blessures corporelle ou de dommage à la pompe ou d'autres équipements.

- Avant de travailler à la pompe ou au commutateur, débranchez toujours le cordon de secteur de pompe en plus de couper le disjoncteur ou d'enlever le fusible. Toujours protection d'oeil d'usage.
- Cette pompe est équipée d'un mécanisme de découpage qui a les bords très pointus. Faites attention en travaillant dessus ou approchez-vous de ces pièces.
- Ne retirez pas les vis de la plaque d'étanchéité du boîtier du moteur ni les vis supérieures du boîtier du moteur. La section de moteur de la pompe est de manière permanente lubrifiée avec de l'huile diélectrique et scellée à l'usine. Le déplacement de ces vis par n'importe qui autre qu'un centre commercial autorisé cassera le scellé et videra la garantie.

Service périodique

Seuls des professionnels certifiés ou agréés doivent effectuer un entretien périodique de la pompe. L'état et le fonctionnement du système de pompe doivent être inspectés tous les trois mois (plus fréquemment en cas d'utilisation intensive).

1. Débranchez l'alimentation.
REMARQUE : Dans les applications où des fusibles à vis sont utilisés, retirez-les d'une seule main de façon à ce que votre autre main et votre torse soient libres de tout contact.
2. Inspectez les cordons d'alimentation et la prise électrique ou le tableau de commande pour la présence de dommages ou de corrosion.
 - Si le cordon de la pompe est endommagé, toute la pompe doit être remplacée.
 - Si la prise électrique/le panneau de commande est endommagé ou corrodé, un électricien agréé doit remplacer les pièces touchées.
3. Retirez tous les débris (gravier, sable, débris flottants, etc.) du bassin de puisard.

ENTRETIEN

Démontage

4. Passez en revue les composants du système de pompe (bassin, pompe, interrupteur, etc.) afin de détecter la présence de toute accumulation (boues, sédiments, minéraux, etc.) susceptible de nuire au bon fonctionnement des composants.
 - Si ces accumulations sont importantes, retirez-les ou remplacez les composants touchés.
5. Confirmez que les colliers de serrage de tous les raccords flexibles sont correctement fixés et bien serrés.
6. Testez le fonctionnement du système. Consultez [« Fonctionnement » page 26](#).

Démontage

1. Nettoyez tous les débris et les dépôts de la pompe.
2. Déposez la pompe sur une surface lisse et dure.
3. Tracez une marque entre la plaque d'étanchéité et la volute à des fins de référence lors du remontage.
4. Retirez les trois vis à tête hexagonale qui maintiennent la volute à la plaque d'étanchéité.
5. Retirez la volute de la plaque d'étanchéité.
 - Si nécessaire, tapez légèrement sur la volute avec un marteau en caoutchouc.
6. Retirez les trois vis à tête hexagonale, la plaque de retenue et la fraise fixe.
7. Dévissez la fraise rotative de l'arbre de moteur.

REMARQUE : La fraise fixe peut être enlevée sans avoir à retirer la volute.

8. Faites glisser la roue et la clé hors de l'arbre.
9. Retirez le joint d'étanchéité.

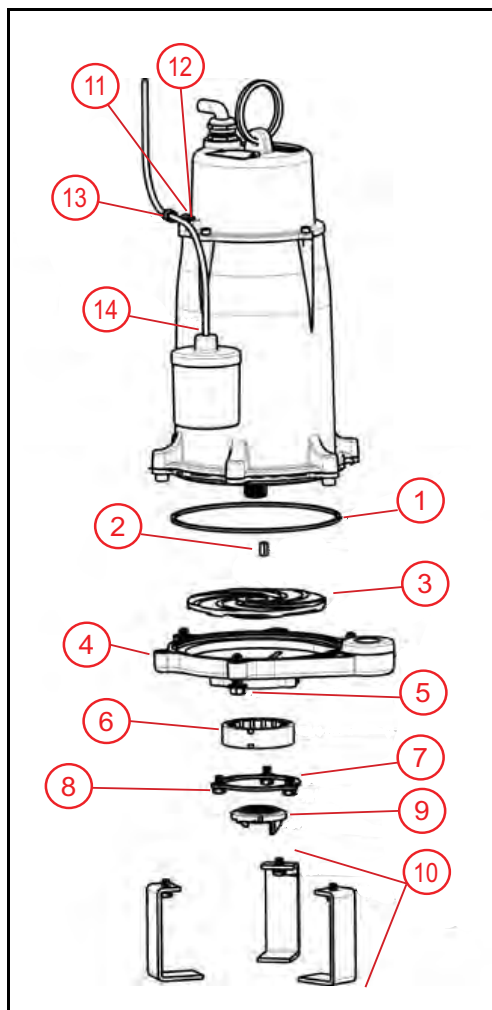
Remontage

1. Insérez le joint d'étanchéité sur la plaque d'étanchéité du moteur.
2. Faites glisser la clé et la roue sur l'arbre de moteur pour les remettre en place.
3. Appliquez le produit Loctite 242 sur les filetages de la nouvelle fraise rotative.
4. Vissez la fraise sur l'arbre de moteur.
5. Tapotez le couteau rotatif jusqu'à ce qu'il affleure l'extrémité de l'arbre du moteur.
6. Installez la fraise fixe sur la volute.
 - Fixez la bague de retenue de la lame avec les trois vis à tête hexagonale serrées à 11,3 Nm (100 po-lb).
 - Le couteau stationnaire peut être retourné par rapport à son utilisation précédente.
7. Assurez-vous que les surfaces de montage de la volute et de la plaque d'étanchéité sont propres.
8. Réalignez les marques faites sur la volute et la plaque d'étanchéité lors du démontage.
9. Utilisez un maillet en caoutchouc pour appareiller la volute à la plaque d'étanchéité.
10. Appliquez le produit Loctite 242 sur les trois vis à tête hexagonale et serrez-le à 100 po/lb.
11. Assurez-vous que la fraise rotative et la roue tournent librement.
 - Insérez un tournevis à tête plate dans la fente située à l'extrémité de l'arbre du moteur et faites tourner la turbine.

Dépannage

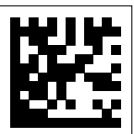
Problème	Causes probables	Mesure Corrective
La pompe ne se met pas en marche	La pompe n'est pas câblée correctement	Vérifiez le schéma de câblage et les connexions.
	Disjoncteur éteint ou fusible retiré	Mettez le disjoncteur sous tension ou remplacez le fusible.
	Accumulation de déchets sur flotteur	Nettoyez le flotteur.
	Obstruction du flotteur	Nettoyez l'itinéraire du flotteur et dégagez-le.
	Interrupteur défectueux	Remplacez l'interrupteur.
	Moteur défectueux	Remplacez la pompe.
La pompe ne s'éteint pas.	Obstruction du flotteur ou de la tige du flotteur	Vérifiez le flotteur et la trajectoire de la tige du flotteur et prévoyez un dégagement.
	La pompe est bloquée par l'air	Retirez la pompe et nettoyez le trou de purge d'air.
	L'arrivée de liquide dépasse la capacité de la pompe	Une pompe de plus grande taille est nécessaire.
	Connexion lâche dans le câblage du contrôle de niveau	Vérifiez que le câblage de commande n'est pas desserré ou mal connecté.
	Interrupteur défectueux	Remplacez l'interrupteur.
La pompe fonctionne, mais elle ne refoule pas le liquide.	Clapet anti-retour installé à l'envers	Vérifiez la flèche indiquant le débit sur le corps du clapet anti-retour pour s'assurer que l'installation est correcte.
	Soupape antiretour bloquée ou bouchée.	Retirez la soupape antiretour et vérifiez qu'elle fonctionne correctement.
	La pompe est soulevée trop haut.	Vérifiez le rendement de la pompe nominale.
	L'entrée de la roue est bouchée.	Tirez la pompe et nettoyez.
	La pompe est bloquée par l'air	Retirez la pompe et nettoyez le trou de purge d'air.
La pompe n'atteint pas la puissance nominale	La pompe est soulevée trop haut.	Vérifiez le rendement de la pompe nominale.
	Faible tension, vitesse trop lente	Vérifiez que la tension d'alimentation correspond au courant nominal indiqué sur la plaque signalétique.
	La roue ou le tuyau de refoulement est bouché(e)	Tirez la pompe et nettoyez. Vérifiez que le tuyau est exempt de tartre ou de corrosion.
	Usure de la roue due aux abrasifs	Remplacez la roue.
La pompe tourne en continu	Aucune soupape antiretour dans le tuyau de refoulement long permettant à l'eau de s'égoutter dans le bassin	Installez un clapet anti-retour sur le conduit de refoulement.
	Fuite de la soupape antiretour	Assurez-vous que la soupape antiretour fonctionne correctement.
	Bassin trop petit pour l'afflux	Installez un bassin plus grand.
L'eau gicle de l'orifice d'un boulon situé à la base de l'appareil	Cette pompe est livrée avec un orifice de purge qui permet à l'air emprisonné de s'échapper de la pompe évitant ainsi un bouchon d'air	Aucune mesure corrective n'est nécessaire.
La pompe est bruyante	Les attaches de tuyauterie sont trop rigides	Utilisez un connecteur ou un tuyau en caoutchouc pour remplacer une partie de la conduite d'évacuation.
	Cavitation causée par le fonctionnement de la pompe en dessous de la hauteur de charge minimale	Remplacez la pompe.
	La pompe tourne à l'envers	Reemplace la bomba. Interchangez deux des trois fils.
Les disjoncteurs se déclenchent	Câblage inadéquat dans la boîte de jonction	Vérifiez le câblage dans la boîte de jonction.
	Une obstruction à l'intérieur de la volute bloque la roue	Retirez la volute pour vérifier la roue. Consultez « Démontage » page 28 .
Déclenchement du protecteur (surcharge/ surchauffe du moteur)	Rotor de pompe obstrué	Tirez la pompe et nettoyez.
	Un interrupteur bloqué en position ON	Vérifiez l'itinéraire du flotteur et dégagez-le.
	Une pompe fonctionnant à sec	Assurez-vous que la pompe dispose d'une alimentation en eau suffisante.
	La pompe contient de l'air	Coupez l'alimentation pendant environ 1 minute, puis redémarrez. Répétez plusieurs fois pour chasser l'air de la pompe.
	Un court-circuit de la pompe	Inspectez le clapet antiretour pour vérifier son installation et son fonctionnement.
	Une alimentation trop élevée ou trop basse en tension	Consultez « Spécifications » page 23 .
	Câblage inadéquat	Consultez « Branchements électriques » page 25 .
	Connexions du moteur incorrectes	
	Mauvaise application du produit	Inspectez les appareils sanitaires, les entrées et les sorties pour détecter les fuites. Réparez et corrigez l'application si nécessaire.
	Utilisation de la pompe à faible hauteur de chute (faible restriction de décharge)	Confirmez les performances de la pompe et revérifiez les calculs de dimension.
Une pompe, un moteur, des roulements ou un joint ayant atteint la fin de leur vie utile	Remplacez la pompe.	

Pièces de rechange



Artículo	Descripción	Número de orden
1	Joint d'étanchéité	928048
2	Clé	282542201
3	Impulseur	120456101
4	Volute	120123801
5	Vis; rondelle et vis à tête hexagonale; 3/8-16 x 1½ po. (3)	14640256
6	Fraise; fixe	120485
7	Plaque de retenue	120476
8	Vis; rondelle et vis à tête hexagonale; 5/16-18 x ½ po. (3)	903740
9	Fraise; Rotatif	120483
10	Ensemble de pied de meuluse	599078
11	Vis	909022
12	Rondelle de blocage	921023
13	Serre-câble	927026
14	Flotteur; 20 Ampères; 9,1 m (30 pieds)	950348
	Flotteur; 20 Ampères; 15,2 m (50 pieds)	950349
6, 7, 8, 9	Ensemble de coupe IGP	14940131

REMARQUES



Pour l'aide technique, entrez s'il vous plaît en contact :

800.348.2420 | franklinengineered.com

998760 Rev. 003 01/23



Franklin Electric

Copyright © 2023, Franklin Electric, Co., Inc. Tous droits réservés.